

LDW 492

Liquid cooled Diesel engine

4.0 - 8.5 kW



 **LOMBARDINI**[®]
A **KOHLER** COMPANY

LDW492

QUICK SPECIFICS

2
CYLINDERS

478 Displacement
cm³

8.5 | **11.4** @ 3600 rpm
kW | HP

28.0 @ 2800 rpm
Nm

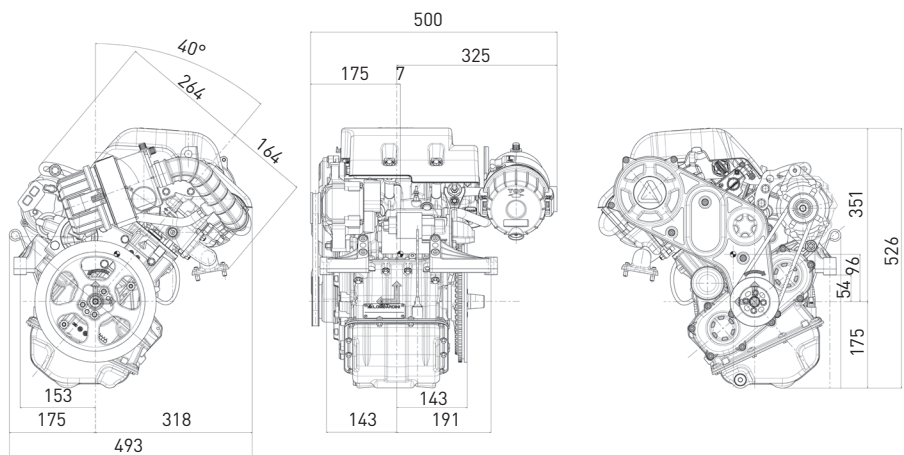
4.0 | **5.4** @ 3600 rpm
kW | HP
2002/24/CE
Directive (E3)

26.0 @ 1400 rpm
Nm

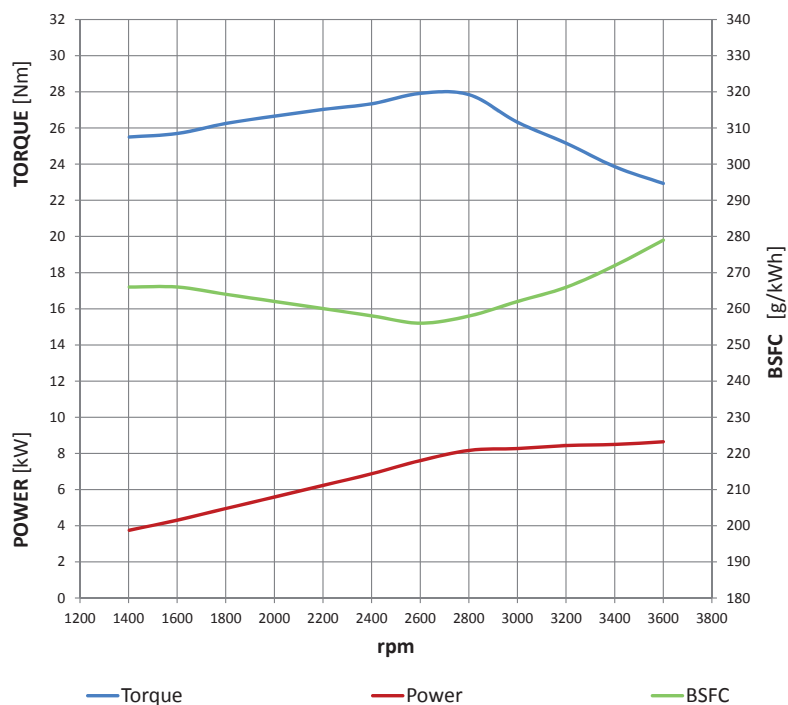


DATA

DIMENSIONS (mm)



PERFORMANCE CURVES (IFN- ISO 3046)



Power ratings refer to engines equipped with air filter, standard muffler, after running-in period at ambient conditions of +25°C, relative humidity 30% and 1 bar. Power levels drop by 1% every 100 m altitude and by 2% every 5°C above +25°C.

TECHNICAL SPECIFICATIONS

Model		LDW 492	
Engine specs	4 stroke diesel engine with cylinders in line		•
	Liquid cooled with axial fan		•
	Direct injection common rail system		•
	Single –shaft distribution in head		•
	Exhaust manifold		•
	Dry air cleaner		•
	Counterclockwise rotation (1 st PTO)		•
	Forced lubrication with vane pump		•
	Full flow external oil filter		•
	Water pump in the engine block		•
	Double balance shaft		•
	Rocker arm with hydraulic tappets		•
	High pressure pump on cylinder head		•
	Aluminum cylinder head		•
	Die-cast aluminum engine block with re-borable cast iron integral liners		•
	2 valves per cylinder		•
	Overhead camshaft on head driven by cogged belt		•
	Breather return oil steam		•
	Distribution control with timing belt		•
	Accelerator pedal with potentiometer		•
	Engine electronic control unit (ECU)		•
	Fuel filter with water indicator		•
	Electrical fuel feeding pump		•
Electrical starting with starter and external alternator (40 A)		•	
Complete electrical harness and fuses box		•	
Belt driven single overhead camshaft		•	
Single connector cab interface		•	
High capacity denoised oil sump		•	
Technical features	Cylinder		2
	Bore (mm)		69
	Stroke (mm)		64
	Engine displ (cm ³)		478
	Injection system		DI
	Compression ratio		20:1
Performance	Emission compliance	2002/24/CE Directive (E3)	-
	Rating (kW/HP): N (80/1269/CEE)ISO 1585 NB ISO 3046 IFN	- 4.0 /5.4 @ 3600	- 8.5 /11.4 @ 3600
	Max torque (Nm@rpm)	26.0 @ 1400	28.0 @ 2800
	Min idling speed (rpm)		1050
Fuel compatibility	UNI EN 590-2010		•
	No 1 Diesel (US) - ASTM D 975-09 B - Grade 1-D S 15		•
	No 1 Diesel (US) - ASTM D 975-09 B - Grade 1-D S 500		•
	No 2 Diesel (US) - ASTM D 975-09 B - Grade 2-D S 15		•
	No 2 Diesel (US) - ASTM D 975-09 B - Grade 2-D S 500		•
Service features	Oil sump capacity (l)		2.1
	Oil consumption (kg/h)		0.007
	Oil change interval std/synthetic (hr)		300* and /or 10.000 km
	Oil filter change interval std/synthetic (hr)		300* and /or 10.000 km
	Valve adjustment		not necessary
Oil consumption (% fuel)		<0.2	
Physical characteristics	H x L x W (mm)		526 x 500 x 493
	Dry weight (kg) *		48.5
	Ambient operating temps (°C)		-15 +50
	Gradeability-all round (intermittent -30 min) (deg)		20
	Gradeability-all round (peak value -1 min) (deg)		30
Cap. of air required for correct combustion @3600 (l/min)		890	
Cooling & lubrication	Heat rejection to coolant (includes oil cooler) (kW)		8.6
	Cooling fluid: 50/50 water/antifreeze		•
	Oil type		SAE 5W 40 API SM/CM

*Considering ECU, without accessories



Lombardini s.r.l. is a part of Kohler Group.
Lombardini has manufacturing facilities in Italy, Slovakia
and India and sales subsidiaries in France, Germany, UK,
Spain and Singapore.

Kohler/Lombardini reserves the right to make
modifications without prior notice.

For the latest version please visit our website:
www.lombardini.it

EUROPE

Lombardini Srl
Via Cav. del lavoro
A. Lombardini n° 2
42124 Reggio Emilia, ITALY
T. +39-(0)522-389-1
F. +39-(0)522-389-503

DEUTSCHLAND

Lombardini Motoren GmbH
Silostr. 41,
65929 Frankfurt am Main
DEUTSCHLAND
T. +49-(0)69-9508160
F. +49-(0)69-950816030

UK

Lombardini U.K. Ltd
1, Rochester Barn - Eynsham Road
OX2 9NH
Oxford, UK
T. +44-(0)1865-863858
F. +44-(0)1865-861754

ESPAÑA

Lombardini ESPAÑA, S.L.
P.I. Cova Solera 1-9
08191 - Rubí (Barcelona)
ESPAÑA
T. +34-(0)9358-62111
F. +34-(0)9369-71613

FRANCE

Lombardini France S.a.s.
47 Allée de Riottier,
69400 Limas, FRANCE
T. +33-(0)474-626500
F. +33-(0)474-623945

ROAPAC

Lombardini Singapore
26 Keong Saik Road (3rd floor)
Asia Pacific Represent. Offices
089154- Singapore
T. +65-(0)622-50556
F. +65-(0)622-50551